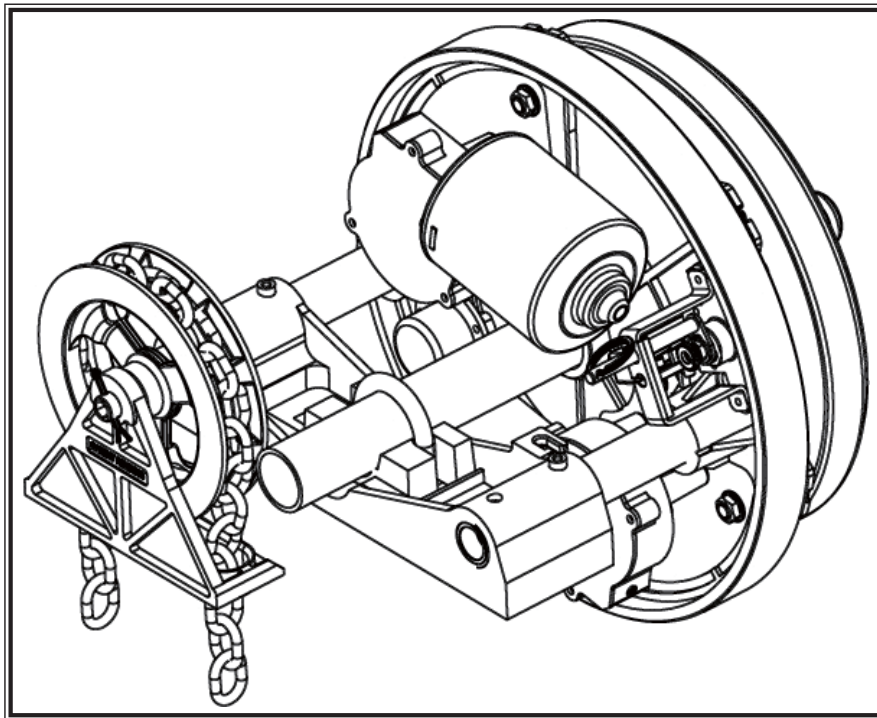


**JANUS INTERNATIONAL CORPORATION
INSTALLTION INSTRUCTIONS**



IMPORTANT INSTALLATION INSTRUCTIONS

WARNING - To reduce the risk of severe injury or death:

- 1) READ AND FOLLOW ALL INSTALLATION INSTRUCTIONS.
- 2) Install only on a properly operating and balanced door. A door that is operating improperly could cause severe injury. Have qualified service personnel make repairs to cables, spring assemblies, and other hardware before installing the operator.
- 3) Remove all pull ropes and remove, or make inoperative, all locks (unless mechanically and/or electrically interlocked to the power unit) that are connected to the door before installing the operator.
- 4) Install the door operator at least 8 ft (2.44 m) or more above the floor if the operator has exposed moving parts. If the operator must be installed less than 8 ft (2.44 m) above the floor, then exposed moving parts must be protected by covers or guarding, provided by the operator manufacturer.
- 5) Do not connect the door operator to the source of power until instructed to do so.
- 6) Locate the control station: (a) within sight of the door, and (b) at a minimum height of 5 feet so small children cannot reach it.
- 7) Install the Entrapment Warning Placard next to the control station in a prominent location.
- 8) For products having a manual release, instruct the end user on the operation of the manual release.

IMPORTANT INSTALLATION SAFETY

THE FOLLOWING SAFETY INSTRUCTIONS RELATE TO THE INSTALLATION OF THE PANTHEON COMMERCIAL ROLLING DOOR OPERATOR

WARNING! - TO REDUCE THE RISK OF DEATH OR SERIOUS INJURY, ALL OF THE FOLLOWING INSTRUCTIONS MUST BE READ, ACKNOWLEDGED, AND ADHERED TO.

- **DO NOT** permit children or unauthorized persons in or about the work area during installation or testing of the rolling door and operator.
- **DO NOT** attempt to install the rolling door unless you have read, understood, and acknowledged the installation instructions provided for the commercial rolling door.
- **DO NOT** attempt to install or place in service the Pantheon operator or any accessories unless you have read, understood, and acknowledged the instructions provided.
- **ENSURE** that all electrical connections for main power supply are made in accordance with local and NEC wiring codes.
- **ENSURE** that the commercial rolling door is installed with correct spring tension and side clearances - the rolling door must operate in the manual condition without binding or sticking in the guides.
- **INSTALL** the logic controller in a suitable location - at a minimum of five (5) feet from the ground and maximum of three (3) feet from the edge of the opening and in clear sight of the surrounding areas.
- **OBSERVE** local and national safety codes, including but not limited to, UL 325, when connecting external accessories and any requirement for the installation of an external entrapment device.
- **REMOVE** or render inoperable any manually operated locks that may be installed on the commercial rolling door.
- **REMOVE** the factory fitted "test plug" unless required for the purposes of supervised operation and testing during the installation process.
- **ALWAYS** complete the commissioning and handover check list and ensure that the client, site manager, or authorized representative is fully instructed in the safe operation of the commercial rolling door and operator.
- **REFER** any technical problems or enquiries relating to the rolling door or the operator to the manufacturer (Janus International Corporation).

IMPORTANT OPERATION SAFETY

THE FOLLOWING SAFETY INSTRUCTIONS RELATE TO THE OPERATION OF THE PANTHEON COMMERCIAL ROLLING DOOR OPERATOR

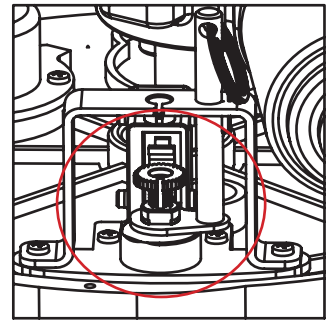
WARNING! - TO REDUCE THE RISK OF DEATH OR SERIOUS INJURY, ALL OF THE FOLLOWING INSTRUCTIONS MUST BE READ, ACKNOWLEDGED, AND ADHERED TO.

- **DO NOT** permit children to operate the control panel, wall switch , or any remote control device connected to or designed to operate the rolling door.
- **DO NOT** attempt to operate the rolling door unless you have a clear and unobstructed view of the door and the surrounding area.
- **DO NOT** operate the rolling door if there are children or persons in the vicinity of the opening - wait until the area is clear before operating.
- **DO NOT** stand or walk under a moving rolling door.
- **TEST** any safety features of the operator on a regular monthly basis and in the event that a fault is determined, discontinue use of the door and operator until such time as the problem is rectified by a qualified technician.
- **LOCAL AND STATE** safety regulations may require the connection of an external entrapment protection device when certain optional operational features of the operator are selected. These include the use of timer devices, auto close feature, momentary contact to close, and the use of remote control transmitters.
- **PRIOR TO OPERATING** the door - ensure that you are familiar with the full operational characteristics of the rolling door and operator and understand the safety requirements.
- **DO NOT** attempt any repairs, modifications, or adjustments to the door or operator - all such issues should be attended to by a trained door systems technician using proper tools and instructions.
- **IF POSSIBLE** only activate the manual release lever when the rolling door is in the closed position because weak or broken springs could allow the door to fall rapidly. In all cases, use caution when using the manual release.
- **IF ANY DOUBT** exists with any feature or function of the door or operator, consult the manufacturer, agent, distributor, or authorized installation technician.
- **KEEP** these instructions in a safe and suitable location for reference and ensure that all personnel are advised accordingly.

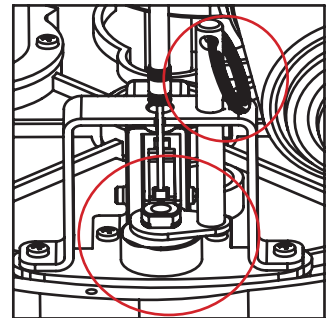
STEP 1

Connecting the manual release cable to the drive unit. (To be done before door is installed)

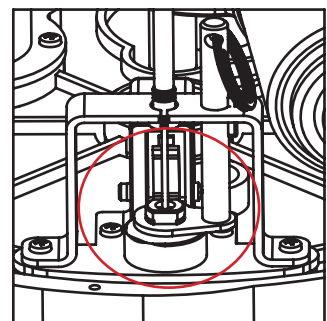
Remove the knurled split nut.



Pull ring on spring loaded pin and twist to disengage auto (electric) mode.

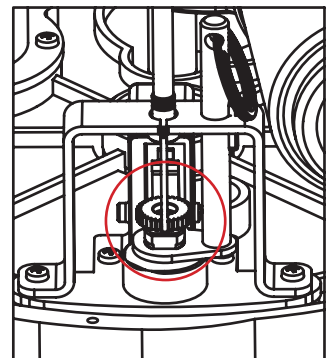


Uncoil the manual release cable and insert the free end of the cable into the threaded recess where the knurled split nut was removed.



Reinstall knurled split nut and tighten.

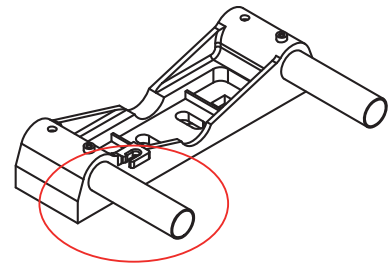
Carefully coil release cable and motor electric cables together and secure to each other in order to prevent uncoiling or damage during installation of the door.



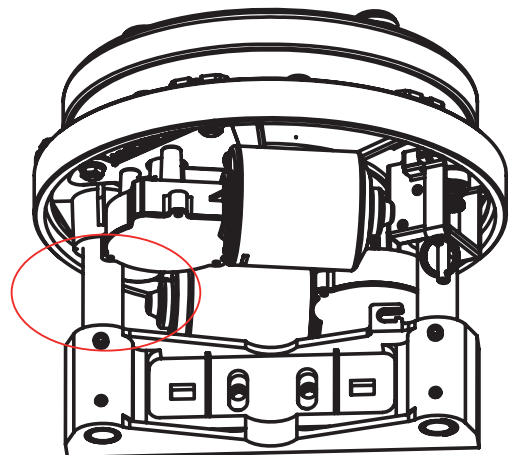
STEP 2

Attaching the dual anchor bracket to the drive unit

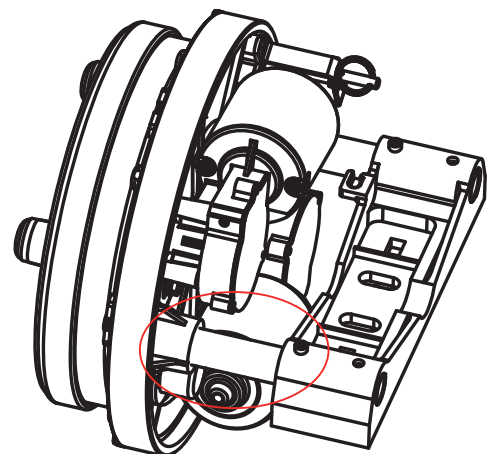
Insert the two steel tubes into the anchor bracket.



Carefully insert the two tubes of the assembled bracket into the corresponding sections of the drive unit.



Ensure that maximum penetration of the tubes into the drive unit is achieved.



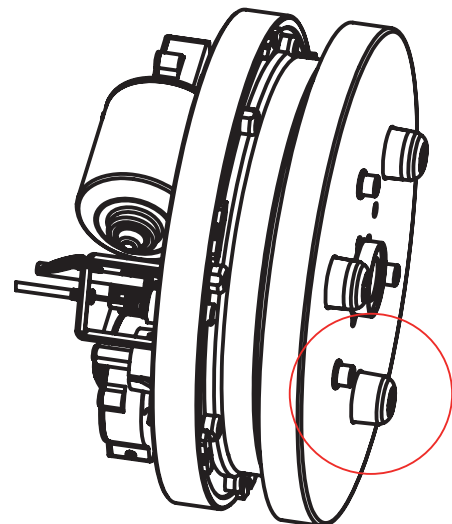
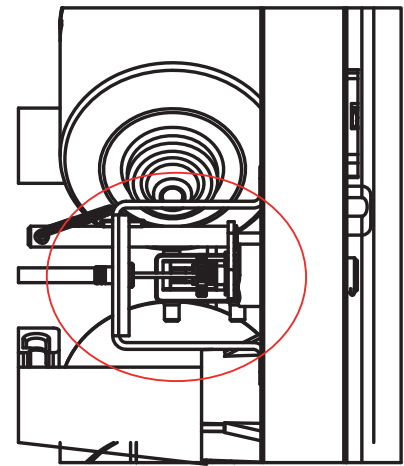
STEP 3

Preparing for the installation of the rolling door

Make sure the manual release pin is in the manual position in order to allow the drive unit to rotate freely.

Place the drive unit inside the drum assembly of the rolling door by carefully sliding the drive unit along the axle of the rolling door on the appropriate drive end of the door. The steel drum wheel is recessed during the manufacture of the door to accommodate the installation of the drive unit.

Ensure that the three cylindrical protrusions on the back of the drive unit are engaged with the corresponding holes in the steel drum wheel.



STEP 4

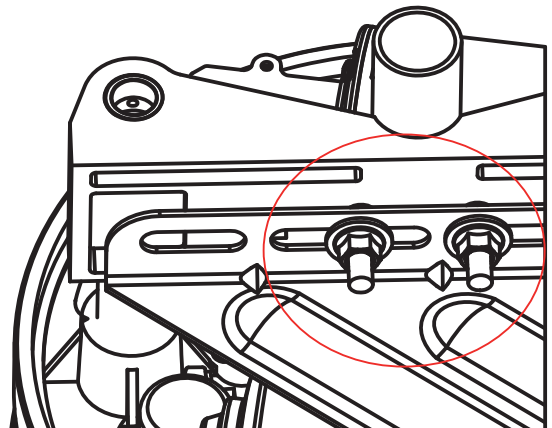
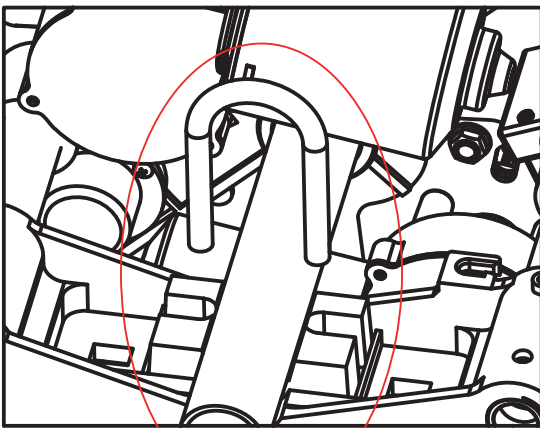
Proceeding with the installation of the rolling door

Make sure the drive unit is correctly located inside the door drum assembly and fully engaged in the steel drum wheel.

Install the rolling door to the door brackets as outlined in the Janus Installation Guide.

Spring tension and curtain clearances should be maintained per normal practice.

A u-bolt, washers, and nuts are provided with a cast iron saddle to be used to secure the axle of the door to the door support bracket.



CAUTION

Take care to ensure that the cables from the drive unit are not damaged or permitted to bind on any part of the structure or the door during the installation.

STEP 5

Installing the logic controller

With the door fully installed, carefully uncoil the cables from the drive unit and arrange so they are protected from damage.

Locate a suitable place for the installation of the logic controller, ensuring adequate free cable length.

The logic controller shall be installed on the same side of the opening as the drive unit and at a location that has a clear view of the door operating area. The logic controller shall be installed at a minimum of five(5) feet from the ground and a maximum of three (3) feet from the edge of the opening.

Remove the controller's cover by removing the four captive screws. Mount controller to wall using four self-tapping screws, one at each corner.

If required, carefully unplug the main control panel loom plug from the terminal.



Connect the main power in accordance with all local and NEC wiring codes.

STEP 5 (continued)

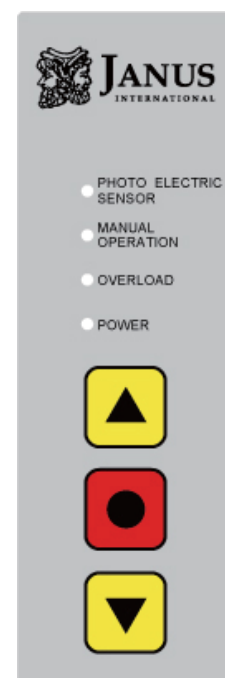
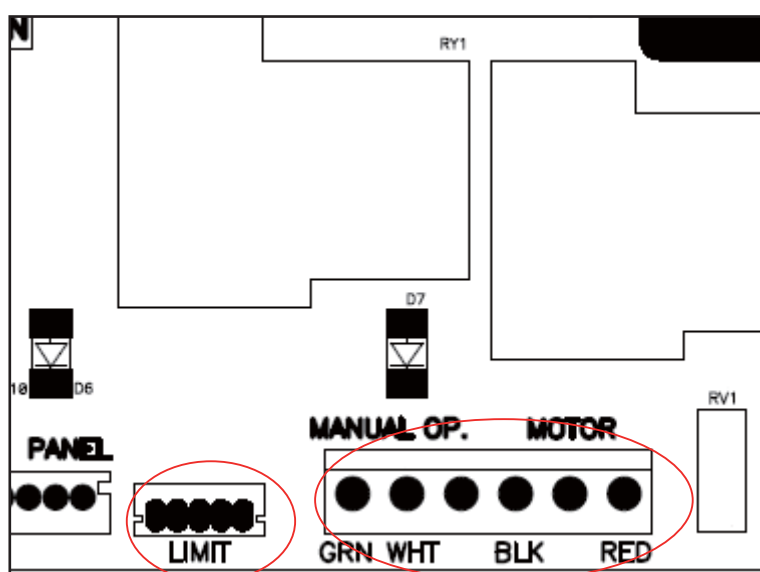
Installing the logic controller

Once the logic controller enclosure is attached to the structure, locate the **drive unit** (larger) cable and the **electronic limit** (smaller) cable.

Insert the electronic limit cable plug through the small hole provided at the bottom of the enclosure and plug into the receptacle marked " LIMIT " at bottom of the board. Use care to ensure plug is installed properly.

Locate cable strain relief bushing. Loosen large bottom gland nut and remove flat nut. Slide bushing over four wire drive unit cable, being careful to place gland nut end first over wire. Insert wire thru hole at bottom of enclosure. Put strain relief bushing in large enclosure hole. Place flat nut over wire and tighten to bushing. Remove green plug (MANUAL OP. MOTOR) from bottom right of board. Attach four wires to plug, being certain to follow color coding on the board. Insert plug with wires to board receptacle. Tighten gland nut on outside of strain relief.

As per factory issue, the logic controller is designed to operate with Momentary Contact to OPEN and Constant Contact to CLOSE.

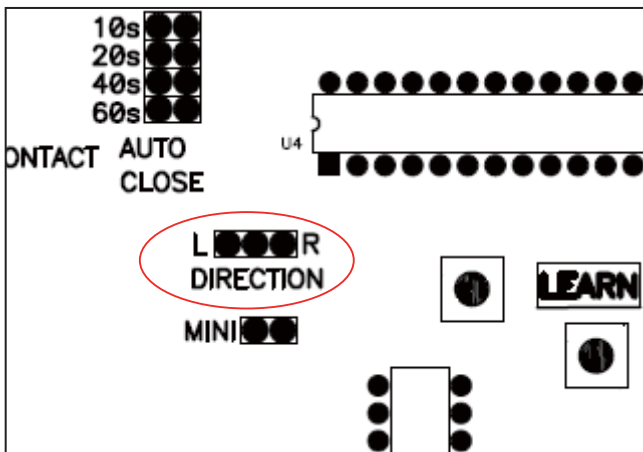


STEP 6

Handing the operator to suit the installation-LH or RH side drive

The Pantheon logic controller is designed to operate the drive unit when installed to either LH (left hand) side or RH (right hand) side installations, as viewed from inside (coil side) looking out.

To correctly hand the logic controller to match the drive unit installation, move the DIRECTION jumper to the required position.



Always switch line power OFF when handing the operator.

STEP 7

Setting the electronic door limits

Reengage the drive unit from manual to auto (electric) operation. Rotate door barrel assembly slowly until pin fully engages. Connect input power line and turn unit switch to on. Unit will beep when switched on.

1. Press and hold **LEARN** button until three **BEEP** sounds are heard.

The logic controller will now learn the **OPEN** position **FIRST**.

2. Press and hold the **UP** button until the door moves. Release button at the required **OPEN** position.

Small adjustments may be made by momentary pressing of the **UP** or **DOWN** button to move the door to the required position.
DO NOT ALLOW BOTTOM BAR TO CONTACT THE HEAD STOPS.

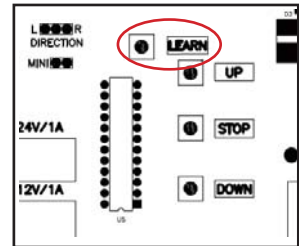
3. When the **OPEN** position is reached, press the **LEARN** button once. Two **BEEP** sounds will confirm the setting.
The logic controller is now ready to learn the **CLOSED** position.

4. Press and hold the **DOWN** button until the door moves. Release button at the required **CLOSED** position.

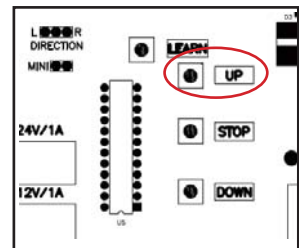
Small adjustments may be made by momentary pressing of the **UP** or **DOWN** button to move the door to the required position.
DO NOT ALLOW DOOR TO OVER-TRAVEL ONCE CONTACT HAS BEEN MADE BY THE BOTTOM BAR TO THE FLOOR.

5. When the **CLOSED** position is reached, press the **LEARN** button once. Two **BEEP** sounds will confirm the **CLOSED** setting. After settings completion, the operator will perform an automatic check of both open and closed settings.

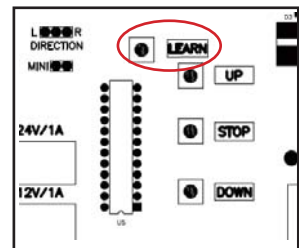
1. Learn



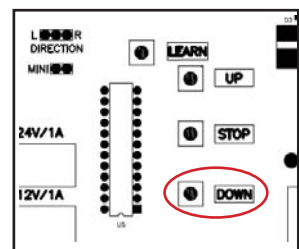
2. Open Position



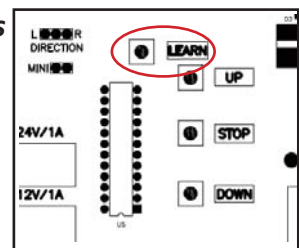
3. Confirm & Learn



4. Closed Position



5. Confirm Settings



Door will immediately travel up and then down on its own. Keep away from moving door.

STEP 8

Setting the DOOR SIZE jumper

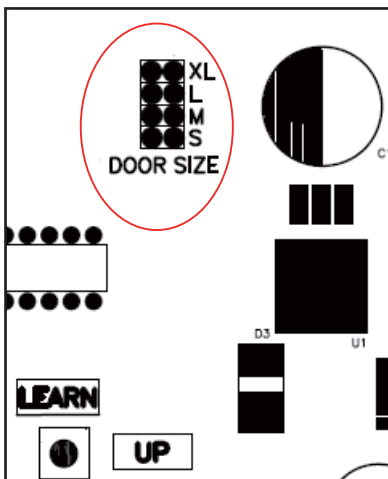
The logic controller is designed to electronically detect and monitor the normal operation of the door.

This assures that the operator will automatically stop and reverse its closing motion or alternately stall its opening motion if an obstruction is detected.

To set the DOOR SIZE adjustment, begin with the jumper at **S** and check that the door will operate down without reversing and up without stalling.

If required, move the jumper through the ranges **M**, **L** & **XL** until satisfactory operation is achieved.

Final adjustment of the sensitivity setting is performed by following the instructions as set out under the heading, "ADJUSTING the SENSITIVITY", step 9.



XL :240-256 Sq Ft
L :156-240 Sq Ft
M :80-156 Sq Ft
S :≤80 Sq Ft



**Install Warning
Label on wall next
to Logic Controller**



It is essential that this reversal feature is not recognized as an external entrapment protection device, as may be required to satisfy national safety codes including, but not limited to, UL 325.

STEP 9

ADJUSTING the SENSITIVITY

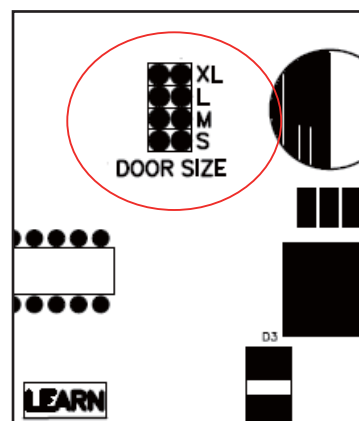
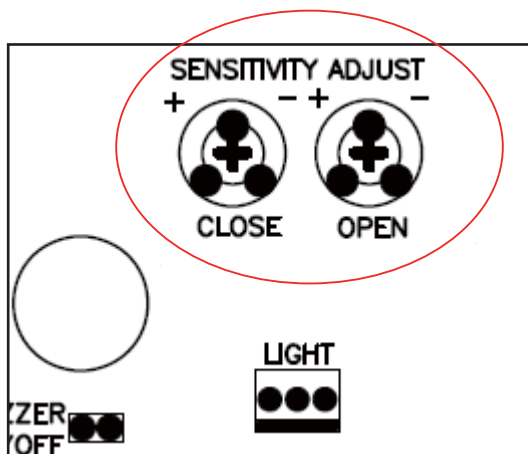
This feature allows the logic controller to be adjusted for small operational imbalances, in conjunction with the door size jumper setting, and permit the door to operate as required in both directions.

Adjustments **shall be made** once the door size setting is complete. Refer to instructions under the heading, "Setting the DOOR SIZE jumper", step 8.

Fine tuning is performed by **careful** rotation of the corresponding Open or Close Sensitivity Adjust screw, as required.

To **Increase** + the sensitivity of the operator, rotate the required (Open or Close) setting **Counterclockwise**.

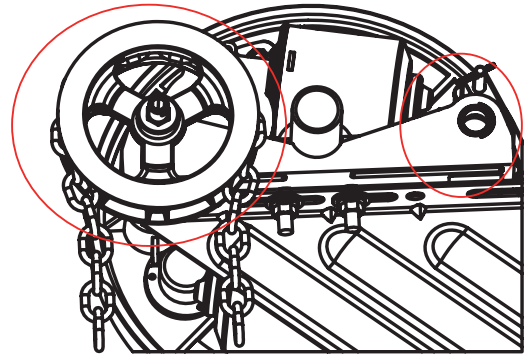
To **Decrease** - the sensitivity of the operator, rotate the required (Open or Close) setting **Clockwise**.



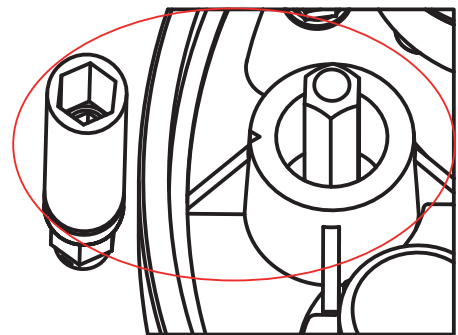
STEP 10

Installing the manual chain hoist

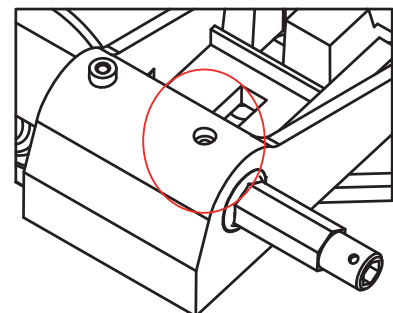
The manual chain hoist assembly may be installed to either location in the anchor bracket as may be required to suit the installation.



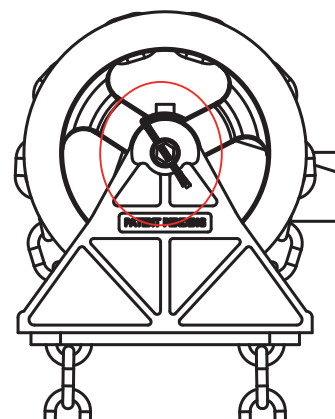
Insert the hoist shaft into the anchor bracket section. Rotate to engage with hex shaft in the drive unit. (Parts removed for clarity.)



Locate the shaft in position with set screw, ensuring that the screw does not prevent free rotation. **DO NOT OVER TIGHTEN SET SCREW.**



Place the cast iron chain wheel and nylon guide on hoist shaft and retain with cotter pin. Cut hand chain to length and fit to chain wheel.



An exploded assembly drawing is enclosed in the accessory carton for reference.

STEP 11

Installing the manual release control

Route the manual release cable, verifying that smooth lever operation is maintained. Avoid tight bends so the inner cable will move freely.

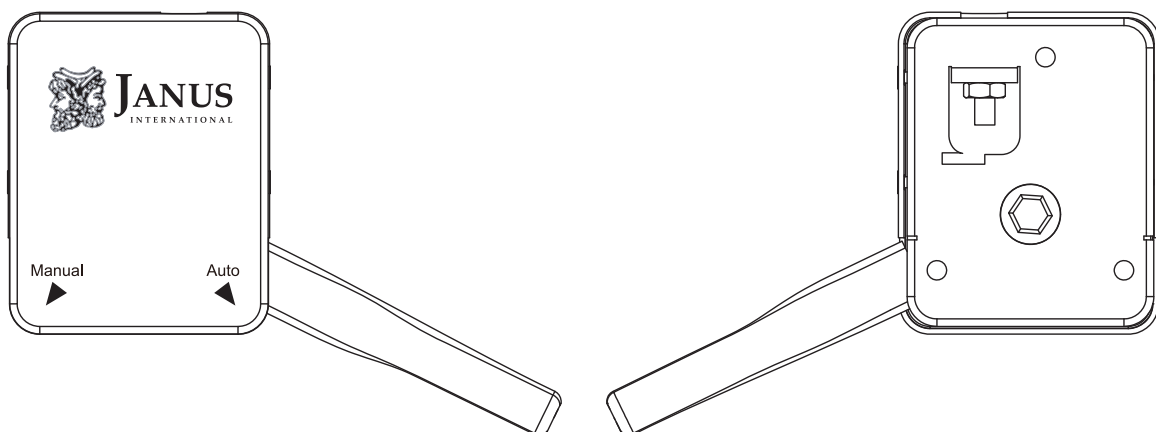
Locate a suitable position for the lever control.

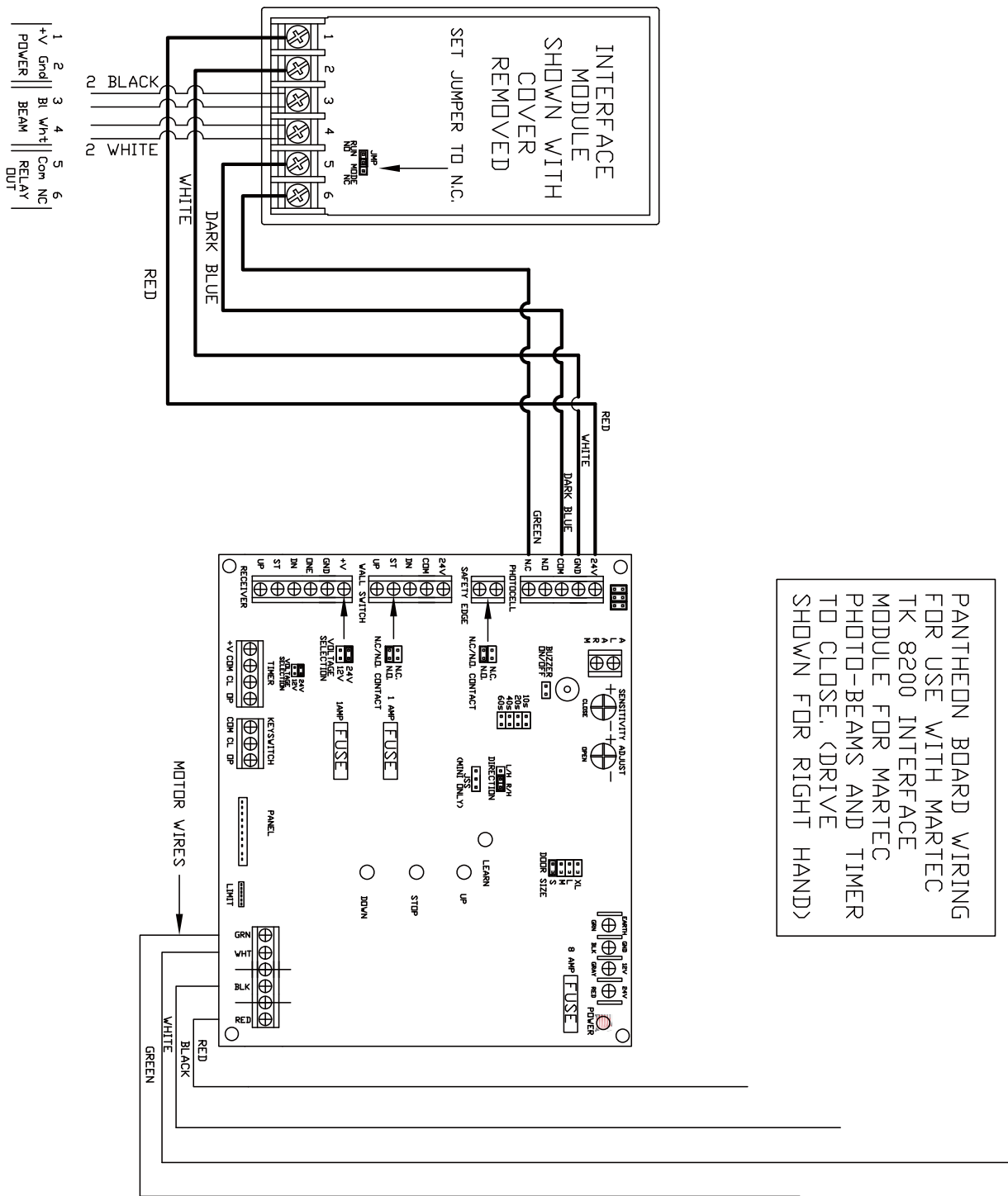
Attach the lever control to the wall with the lever moved toward the right to actuate the Auto (electric) operation.

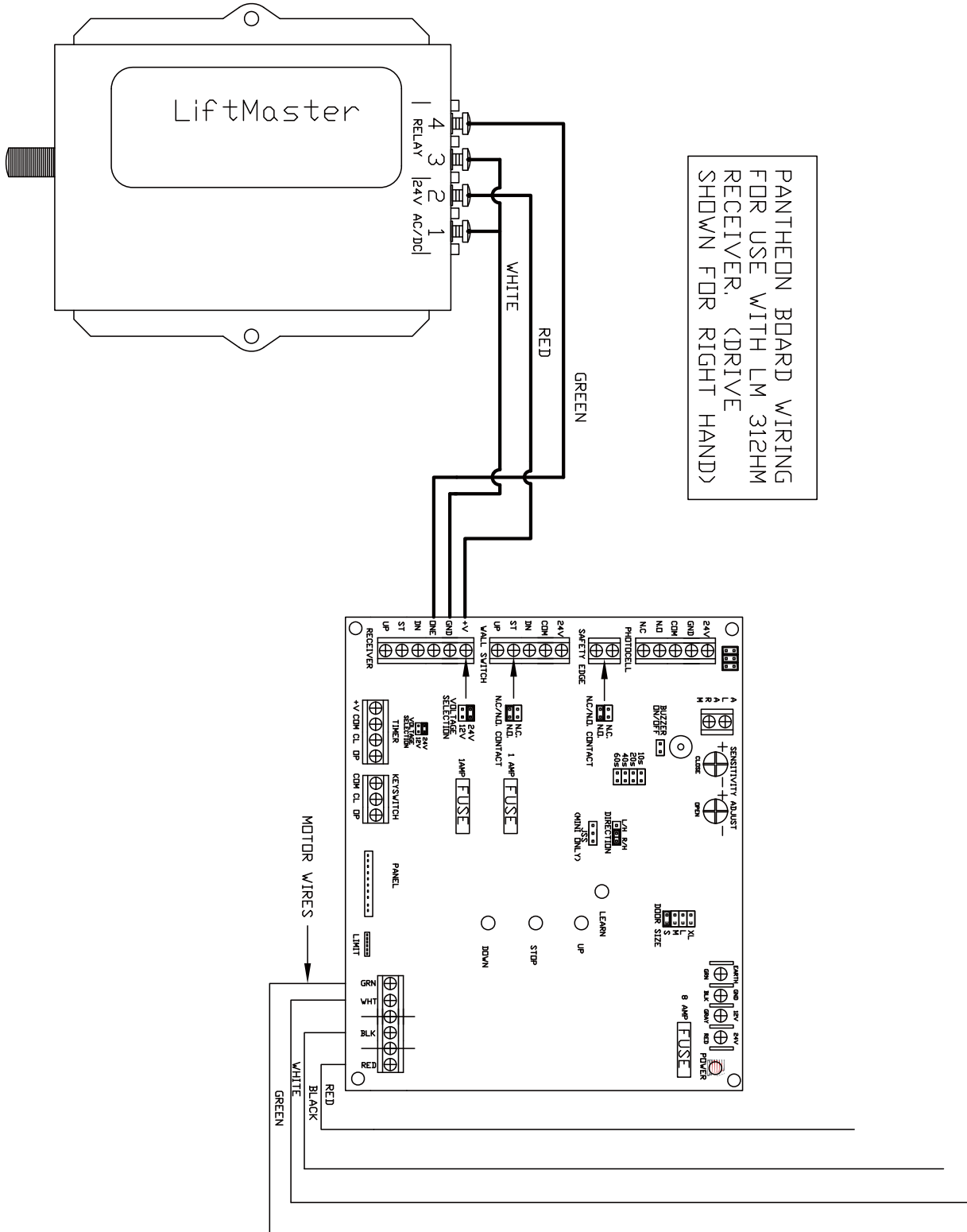
Make sure the drive unit is fully engaged by gently moving the curtain of the door in either direction (up or down) until the pin is locked into position.

Check to be sure the lever is able to withdraw the manual release pin and reengage it as required.

Adjust the internal lever tension screw, if required, to hold the manual release pin in the manual condition. Install control cover.



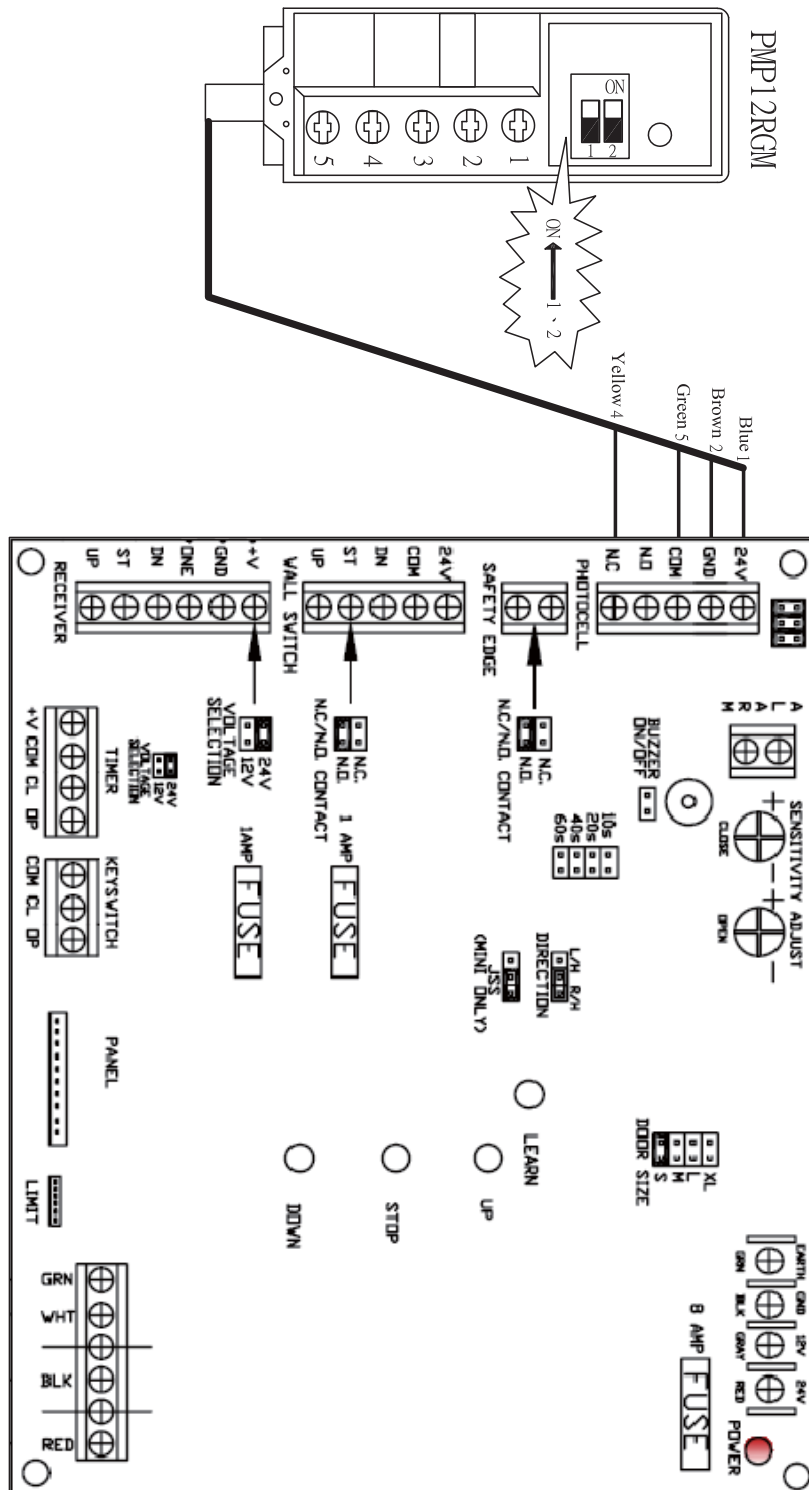




PANTHEON BOARD WIRING
FOR USE WITH LM 312HM
RECEIVER. (DRIVE
SHOWN FOR RIGHT HAND)

STEP 12

Photo Sensor Wiring Diagram.



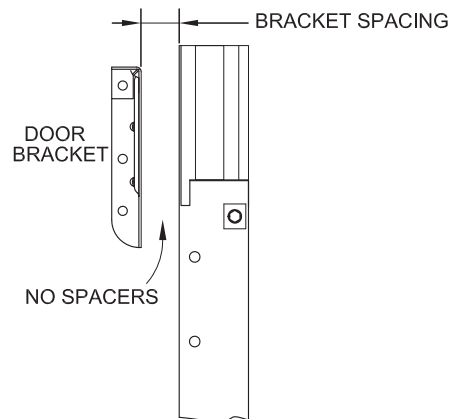
COMMERCIAL PANTHEON DRIVE END BRACKET SPACING

MODEL	BRACKET SPACING
2000	1-1/4"
2500	1-1/4"
3100	1-1/4"
3400	1-1/4"
3652	3/4"

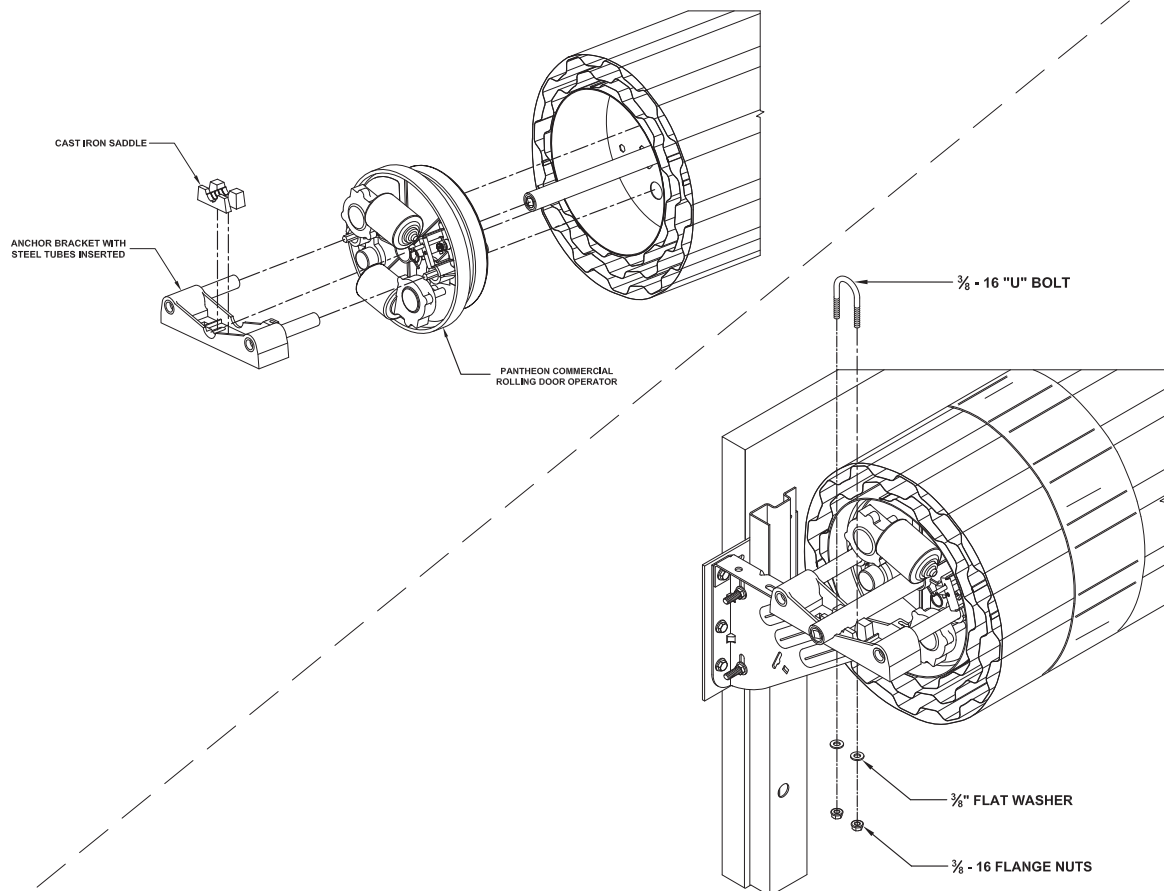
**When installing Commercial Pantheon on these models, spacing is required between guide and inside of drive end door bracket. Drive end door bracket is mounted independent of guide. NO SPACERS PROVIDED. Please refer to above chart to determine correct spacing.

**Spacing listed above may vary slightly from one installation to the next. Slots exist in anchor bracket to provide adequate adjustment.

*Assure Guides are plumb, holding back of guide to back of guide dimension, and door brackets are level with one another.



COMMERCIAL PANTHEON MOTOR INSTALLATION



8-14-14

PROBLEM	POSSIBLE CAUSE	SOLUTION
Pressing UP or DOWN on front cover, beeps twice, nothing happens. No Power indicator light on front cover.	8 AMP fuse located in top right hand corner of logic board blown.	Check 8 AMP fuse located in top right corner of logic board. If blown, replace with spare 8 AMP fuse located inside front cover.
MANUAL OP light on but cannot manually operate door.	Release cable connection at motor head too taught or motor studs not fully engaged in drum holes.	Remove split nut where cable enters motor head. Place door in manual operation condition by pulling and twisting grenade pin to lock in place. Manually operate door. Re-engage grenade pin. Rotate curtain slightly up or down until motor pin snaps into place. Check front cover for MANUAL OP light. If OFF, re-attach release cable.
Pressing UP or DOWN on front cover, nothing happens. Power indicator light on front cover is ON.	Operator is in Manual Operation Condition.	Check front cover for MANUAL OP indicator light. If ON, move lever to AUTO position. Rotate curtain slightly up or down until motor pin "snaps" into place.
No Beeps when pressing UP, DOWN, STOP or LEARN button on circuit board.	Limit Plug Lead Wire damaged.	Check Limit Plug Lead Wire for damage. If damaged beyond repair, consult factory for further assistance.
Able to set the UP/OPEN limit but can't get the DOWN/CLOSE command to function; beeps twice.	Motor lead cables, GREEN, WHITE, BLACK, AND RED, not connected to corresponding board connections.	Check Motor Lead Cable. Assure that GREEN, WHITE, BLACK and RED wires are connected to corresponding connections on logic board. Check L/R direction jumper for proper handing.
OVERLOAD light ON, front cover.	Improper tension, door binding during operation, or voltage spike.	Place door in manual operation condition, raise door, adjust tension. Inspect guides, brackets, for any potential binding locations. Check 8 AMP fuse and re-set limits.
After setting OPEN & CLOSE limits, door does not cycle up and down.	Contact Jumper is set at N/C position.	Move Contact Jumper to the N/O position
After setting OPEN & CLOSE limits, door does not cycle up and down.	Contact Jumper is set at N/C position.	Move Contact Jumper to the N/O position

STEP 13

Commissioning and handover of the door and operator

Once all the steps in the installation process have been successfully followed and any external accessories have been correctly connected, the door, operator, and any external accessories should be fully tested prior to handover and demonstration to the customer or authorized representative.

The handover process should include the exchange of any owner manuals, instruction manuals, warranty cards or documents, remote control transmitters together with a complete demonstration of the fully functioning door, operator, and any external accessories.

Contact Information:

Janus International Corporation
134 Janus International Blvd.
Temple, GA 30179
770.562.2850
770.562.2264 fax
www.janusintl.com

Check List

- | | | | |
|--|--------------------------|--|--------------------------|
| With door in manual mode, check door operation | <input type="checkbox"/> | Check edge sensor function - if connected | <input type="checkbox"/> |
| Check activation of manual release lever | <input type="checkbox"/> | Check wall switch- if connected | <input type="checkbox"/> |
| Check auto reverse operation | <input type="checkbox"/> | Check remote control transmitter operation- if connected | <input type="checkbox"/> |
| Check auto close- if selected | <input type="checkbox"/> | Check that all manual locks are inoperable | <input type="checkbox"/> |
| Check timer device- if connected | <input type="checkbox"/> | Remove "test plug" at photo electric sensor terminal- if fitted | <input type="checkbox"/> |
| Check photo electric sensor function- if connected | <input type="checkbox"/> | Demonstrate all functions to client and hand over any accessory items or documentation | <input type="checkbox"/> |