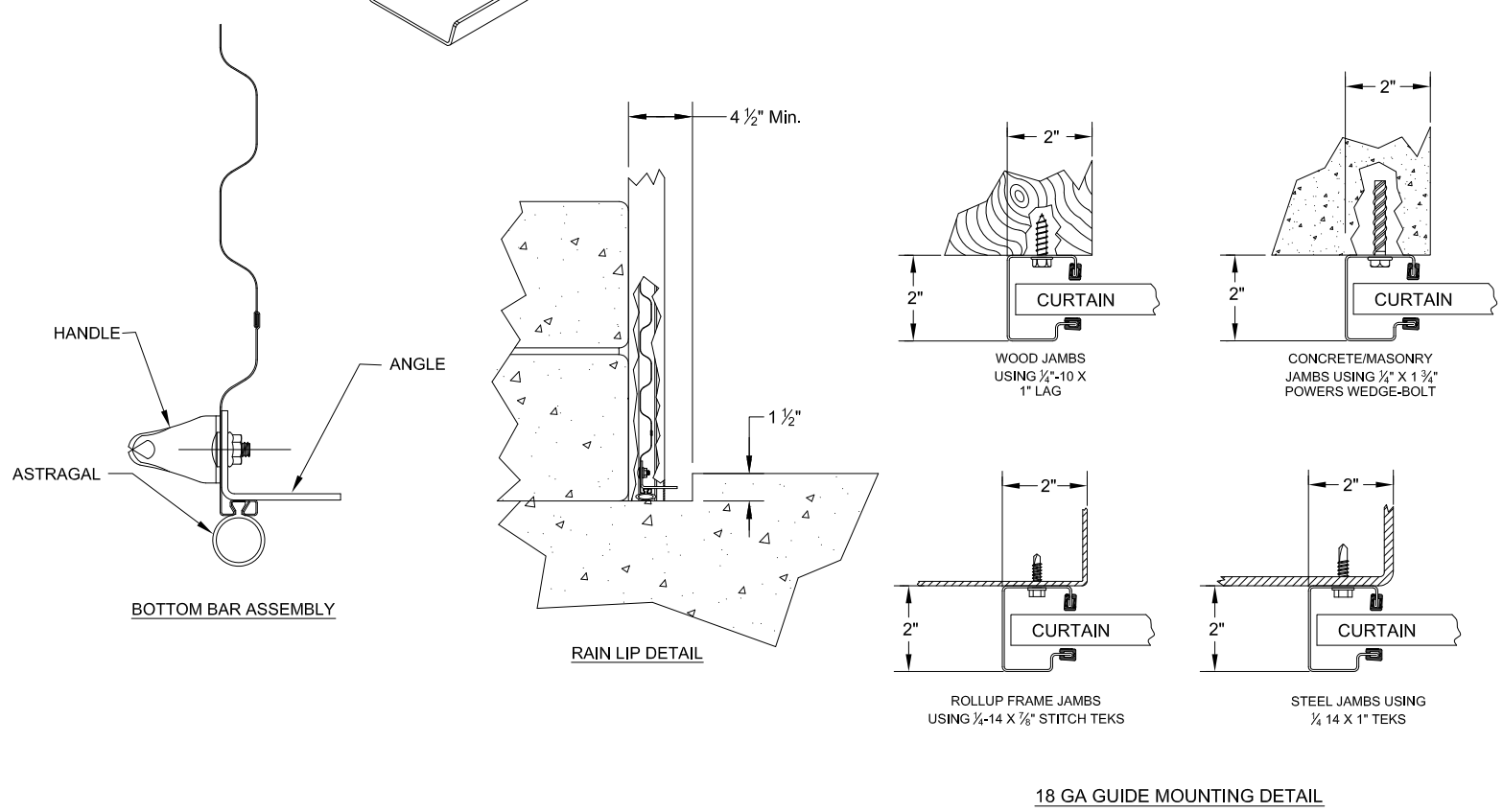
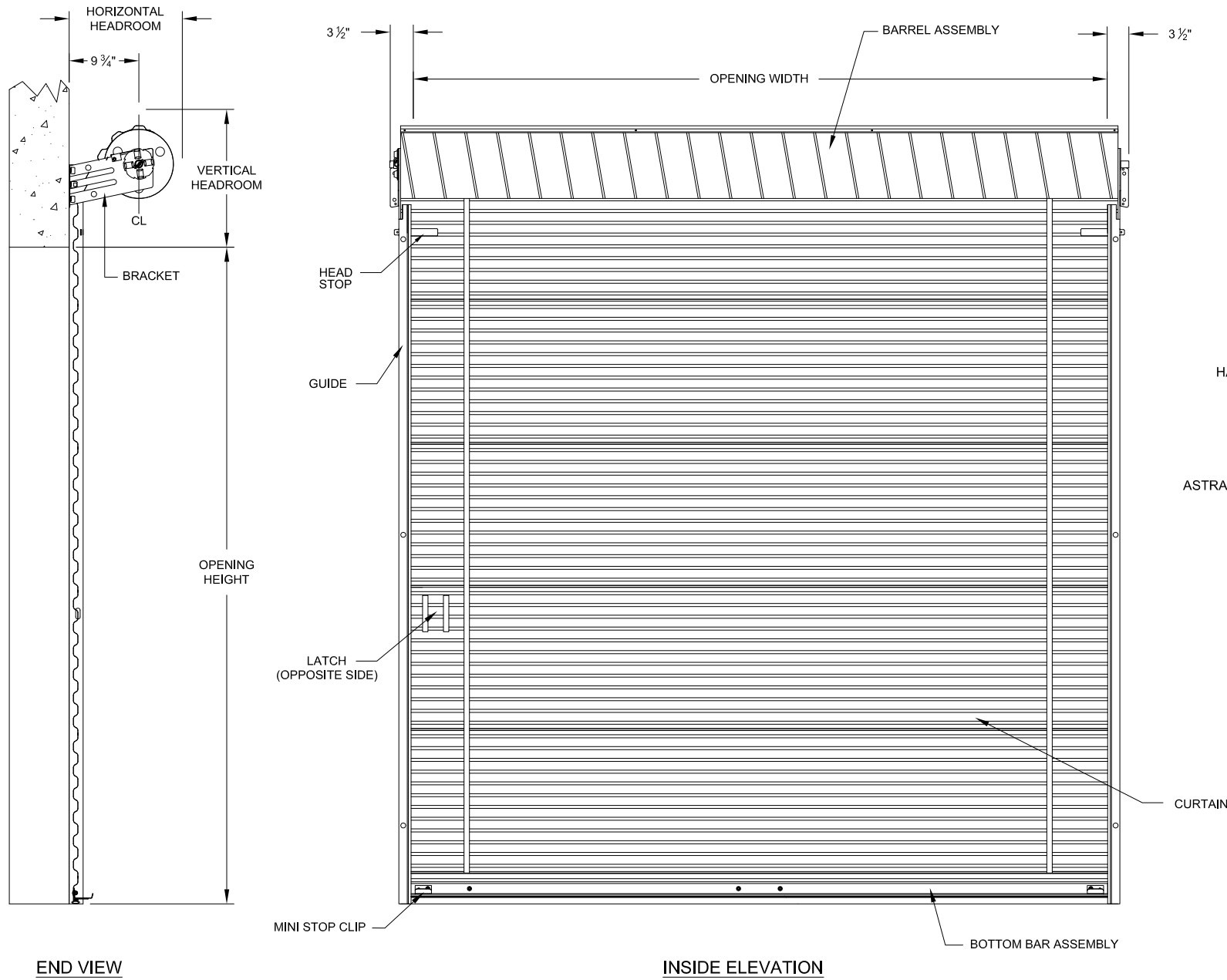
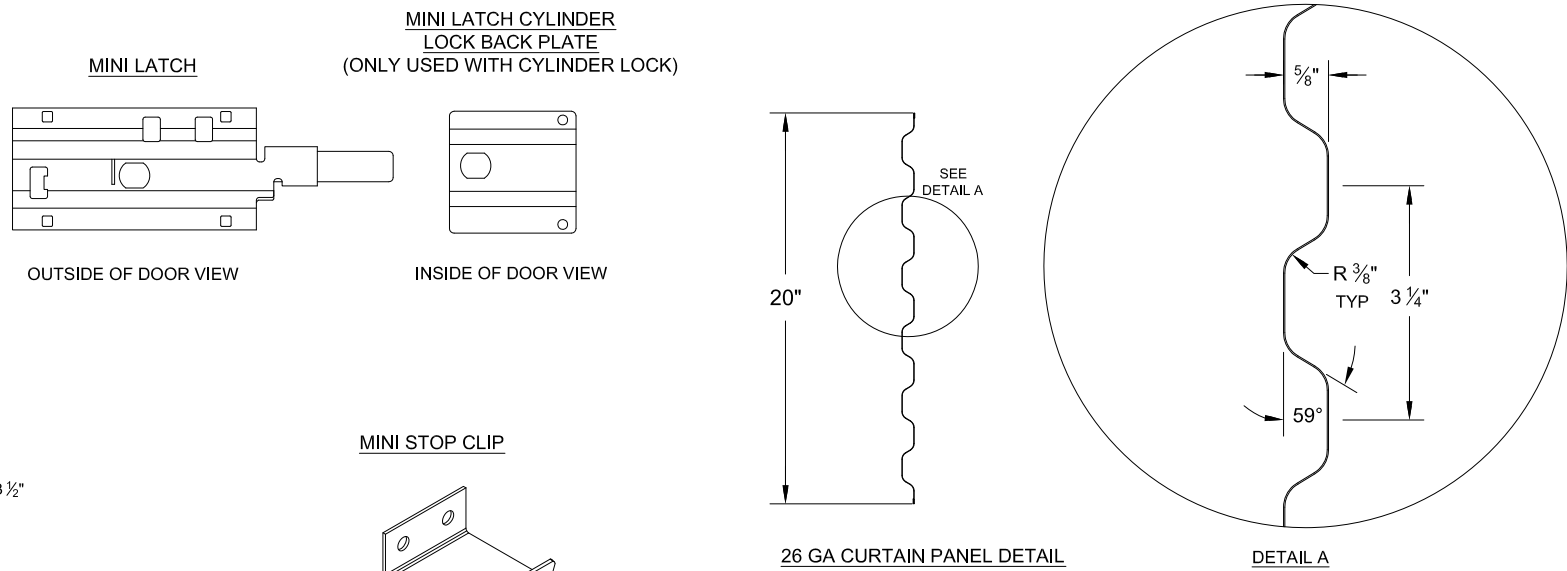


### HEADROOM REQUIRED

OPENING HEIGHT	VERTICAL HEADROOM	HORIZONTAL HEADROOM
THRU 7'-4"	15 1/2"	17"
OVER 7'-4" THRU 8'-8"	16"	17 1/2"
OVER 8'-8" THRU 10'-0"	17"	18 1/2"

**NOTES:**

- OPERATION TYPE MAY BE PUSH-UP OR RIGHT HAND INTERNAL ELECTRIC.
- FOR CRITICAL FITS DUE TO REDUCED AVAILABLE HEADROOM OR SIDEROOM CLEARANCES, CONSULT FACTORY.
- CLEARANCES SHOWN ARE MAXIMUMS. LESSER CLEARANCES MAY BE POSSIBLE.
- UNLESS OTHERWISE NOTED, LOCKING SHALL BE BY SINGLE MINI SLIDE LATCH BOLTED TO CURTAIN AND SUITABLE FOR DOUBLE PADLOCKS AND SINGLE CYLINDER LOCK BY OTHERS.
- LATCH COVER IS YELLOW ZINC (STAINLESS STEEL OPTIONAL) AND SLIDE IS MAGNETIC STAINLESS.
- SERIES 650I IS AN INSULATED SERIES 650.
- CURTAIN FINISH SHALL BE SILICONE POLYESTER PRE-PAINT OVER GALVANIZED GRADE 80 STEEL.
- GUIDES, BRACKETS, BOTTOM BAR ANGLE AND HEAD STOPS ARE ZINC COATED.
- MAXIMUM OPENING SIZE: 10'-0" X 10'-0".



D.V. 08/13/2013

## MINI DOOR SERIES: 650/650I

CUSTOMER NUMBER:	DATE:
CUSTOMER NAME:	CONTACT:
PROJECT NAME:	
PROJECT LOCATION:	
PLANT:	SALESPERSON:
DRAWN BY:	DATE:
DRAWING NUMBER:	SHT: OF:

FACTORY ORDER NUMBER	DOOR SERIES		QTY	OPENING SIZE		JAMB TYPE			OUTSIDE CURTAIN COLOR	OPERATION			WEATHERSTRIP			ADDED OPTIONS
	650	650I		WIDTH	HEIGHT	STEEL	CONC./MAS	WOOD		PUSH UP	REDUCED CHAIN	ELECTRIC	OPERATION HAND	TOP	HEADER	

**ROLL UP DOORS DIRECT**  
 Roll Up Doors Direct  
 903 Jan Mar Court  
 Minneola, FL 34711  
 877.357.DOOR (3667)  
 rollupdoorsdirect.com