



JANUS
INTERNATIONAL GROUP

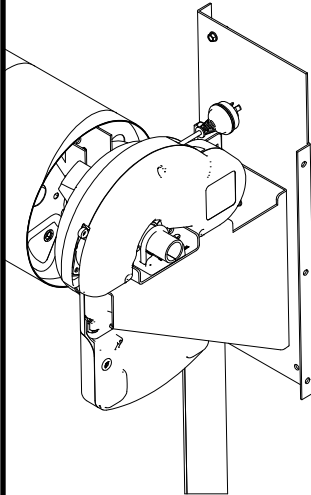
JANUS INTERNATIONAL GROUP LLC
135 JANUS INTERNATIONAL BLVD.
TEMPLE, GA 30179
PHONE 770-562-2850 / FAX 770-562-1991

www.janusintl.com

ATA RETROFIT SUPPLEMENTAL INSTRUCTIONS

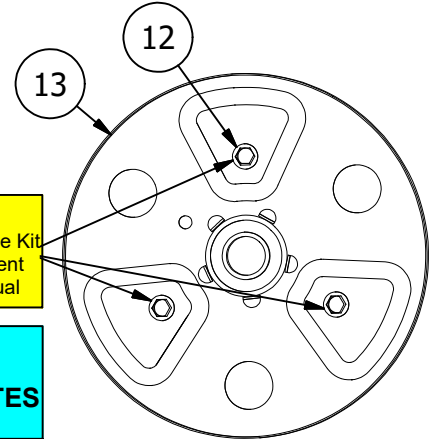
Completion Date: 2/4/2021

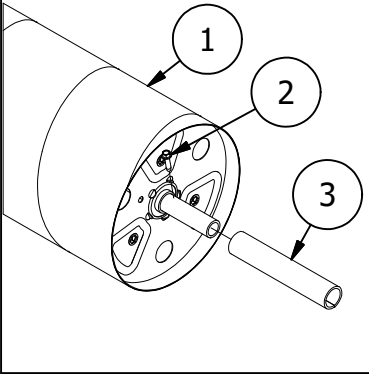
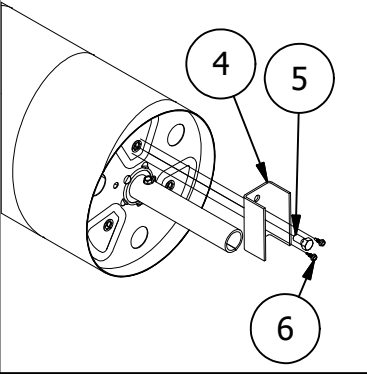
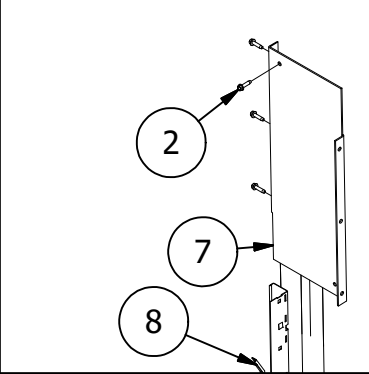
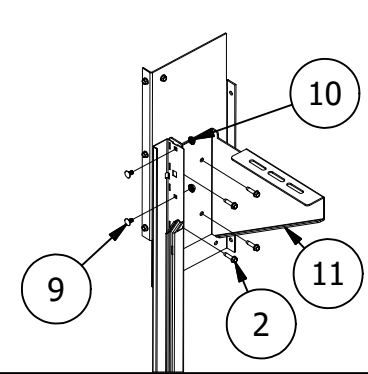
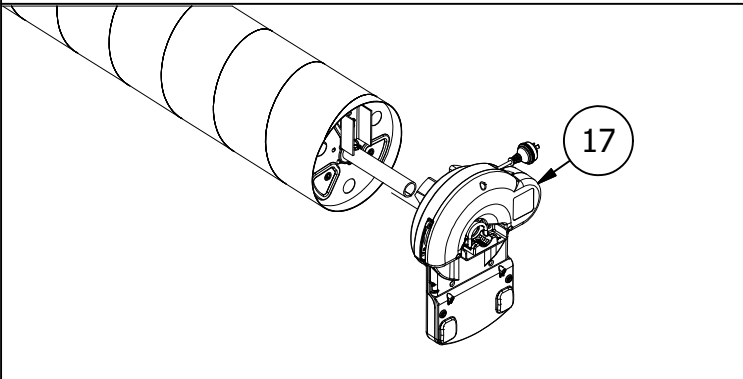
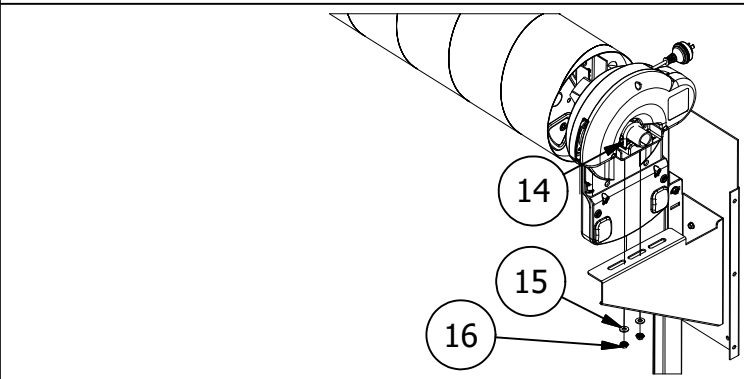
812016-0000



BEFORE BEGINNING
Check to insure Blind Nuts are installed on the Drumhead of the Door Assembly. The Kit provided for this Retro Fit Installation includes a Blind Nut Installation Kit. In the event that they are not present, please consult the Blind Nut Installation Instruction Manual

**SEE BACK FOR
GENERAL PART DESCRIPTIONS AND INSTALLATION NOTES**



STEP 1	STEP 2	STEP 3	STEP 4
INSTALL AXLE SLEEVE	INSTALL DRUM ADAPTER	INSTALL MOTOR PLATE	INSTALL BRACKET
			
STEP 5	STEP 6		
MOTOR TO DOOR	DOOR TO BRACKET		
			

IMPORTANT INFORMATION

JANUS INTERNATIONAL DOORS MUST BE INSTALLED BY TRAINED ROLLING DOOR TECHNICIANS QUALIFIED TO INSTALL PRODUCT SAFELY WITH PROPER KNOWLEDGE, TOOLS, SAFETY AND INSTALLATION EQUIPMENT. CAREFULLY READ INSTALLATION INSTRUCTIONS. FAMILIARIZE YOURSELF WITH ALL INSTALLATION PROCEDURES, WARNINGS, CAUTIONS, AND NOTES BEFORE ATTEMPTING TO INSTALL DOOR. JANUS INTERNATIONAL CORPORATION WILL NOT WARRANTY OR ACCEPT RESPONSIBILITY FOR DOORS NOT INSTALLED PER THESE INSTALLATION INSTRUCTIONS.

GENERAL PART DESCRIPTIONS

ID	ITEM NUMBER	ITEM DESCRIPTION
1	N/A	BARRELL ASSEMBLY
2	600022-0027	Screw, SD, TEK, HWH, #14 x 1, 1/4 Thd/Inch
3	200391-0000	Sleeve, Axle, Retro
4	N/A	ATA DRUM ADAPTER
5	N/A	ATA BOLT FOR DRUM ADAPTER
6	N/A	ATA TEK SCREW FOR DRUM ADAPTER
7	200389-0000	PLATE, Z-MOTOR, RETROFIT, ATA
8	N/A	GUIDE
9	600014-0001	Bolt, Carriage, RH, Sqr. Neck, 1/4-20 x 1/2", SS
10	600008-0001	Nut, Serrated Flange (Whiznut), Hex, 1/4-20 UNC
11	200390-0000	Bracket, Retro, ATA
12	600083-0000	NUT, HEX, RIVET, BLIND, 3/8-16 X 11/16"
13	200065-0002	DRUM, MINI, REINFORCED, W/BEARING
14	N/A	ATA UBOLT
15	N/A	ATA FLAT WASHER
16	N/A	ATA WHIZ NUT
17	N/A	ATA EASY ROLLER OPERATOR

INSTALLATION NOTES

STEP	NOTES
1	TEK SCREW (2) TO GO THRU RETRO AXLE SLEEVE (3) AND INTO AXLE OF DOOR ASSEMBLY 1" FROM DRUMHEAD
2	BEFORE PLACING TEK SCREWS (6) MAKE SURE DRUM ADAPTER IS ALIGNED WITH THE AXLE OF THE DOOR ASSEMBLY
3	PLACE Z MOTOR PLATE (7) BEHIND GUIDE (8), BETWEEN IT AND THE JAMB. THEN USE FASTENERS (2) TO FIX IT IN THE PROPPER LOCATION.
4	ATTACH RETRO FIT BRACKET (11), TO GUIDE (8) WITH CARRIAGE BOLTS (9) AND SERRATED FLANGE NUTS (10). THEN SECURE IT TO THE Z MOTOR PLATE (7) WITH TEK SCREWS (2)
5	SLIDE THE ATA EASY ROLLER OPERATOR (14) ONTO THE AXLE SLEEVE (3). MAKE SURE THAT THE U BOLT (14) OF THE OPERATOR GOES OVER THE AXLE SLEEVE (3) AS WELL.
6	SECURE THE ATA EASY ROLLER OPERATOR AND DOOR ASSEMBLY WITH SERRATED FLANGE NUTS THAT CAME ON THE OPERATOR