



COMMERCIAL

commercial 3652

The **3652 Commercial Series** is our certified wind load rated rolling sheet door that meets specified wind loads required by even the most stringent building codes. Independent laboratory testing proves how durable and strong this door really is. The quick installation and smooth operation further demonstrates how user friendly this door is. Backed by a one year warranty, this door is built to perform.



Maximum 18' x 14'

Available in sizes up to 18' x 14' and in more than 30 colors, customized for your application.



Medium-Duty Application

Ideal for medium-duty locations, such as warehouses, commercial buildings, and freight terminals.



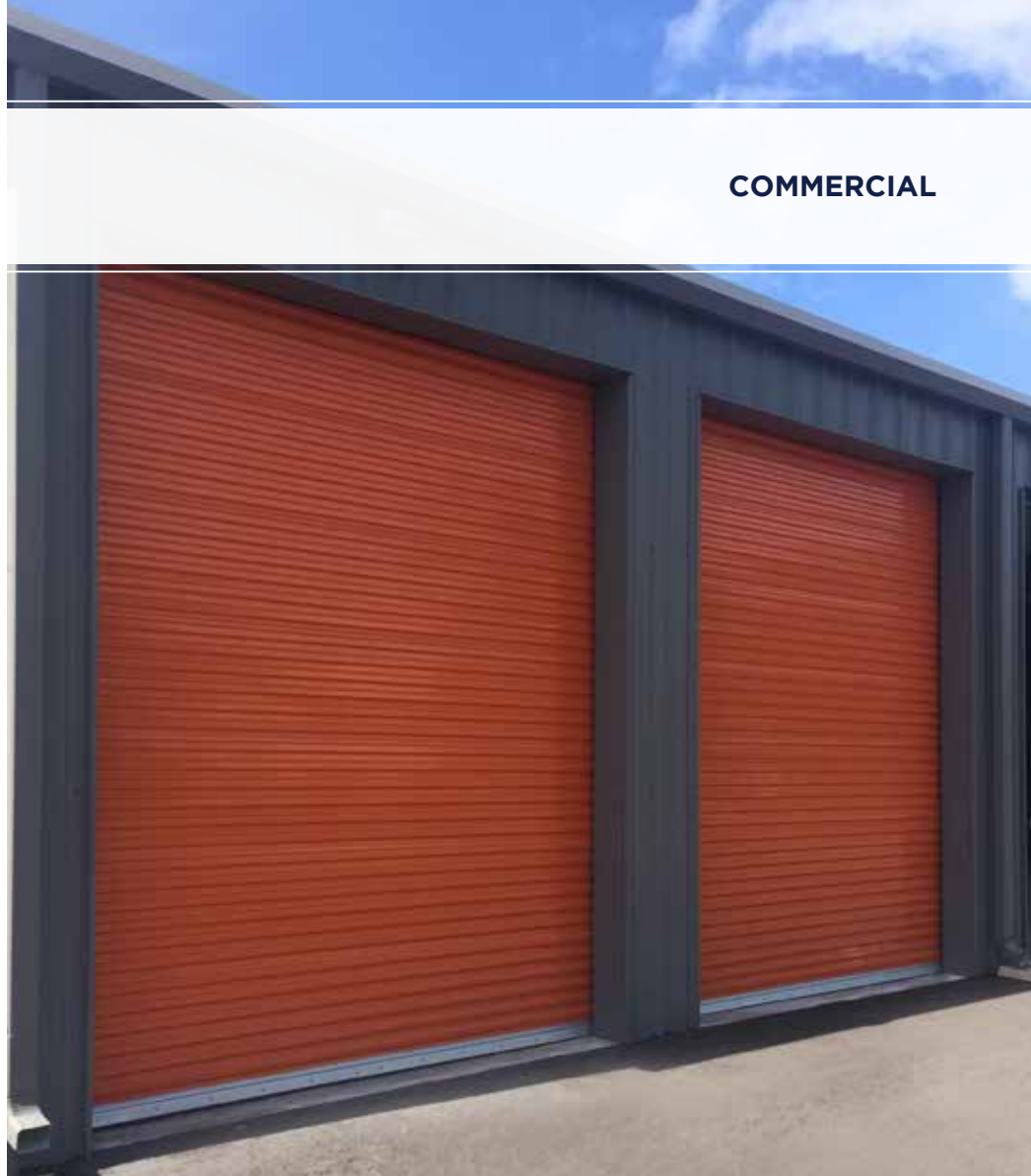
Wind Load Rated

Superior construction and innovative design make this door able to withstand heavy winds and extreme weather.



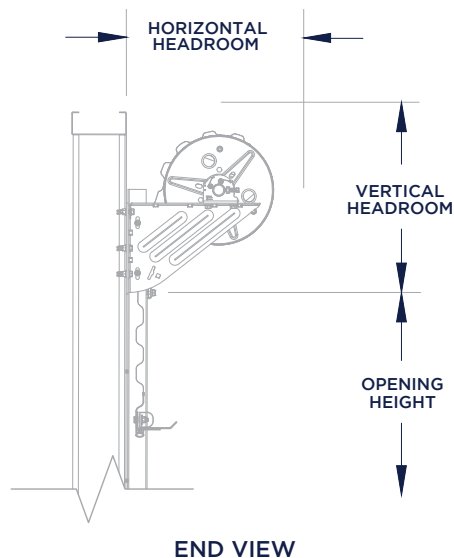
Quality Guaranteed

One-year door warranty. For paint, 35-year no-fade, 40-year film integrity.



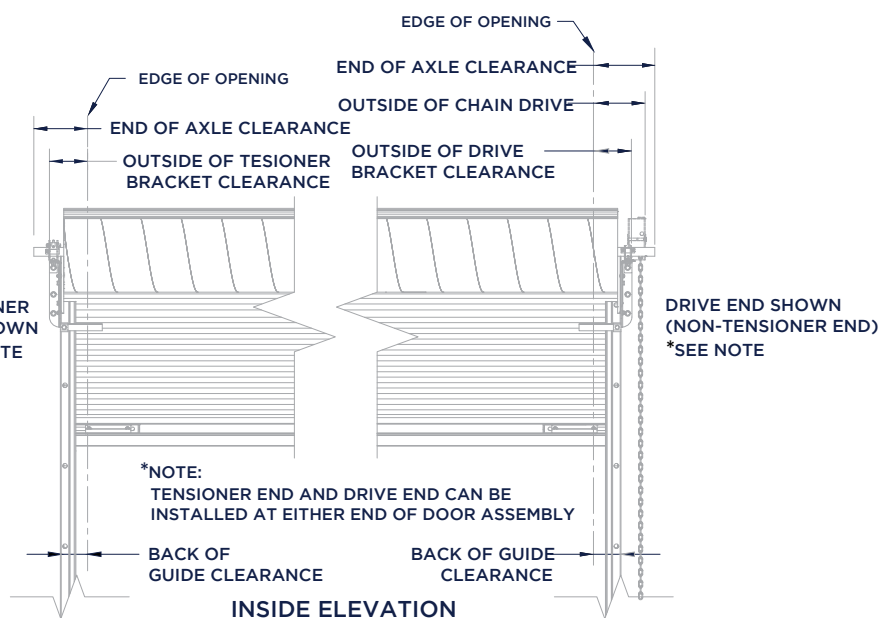
Features

- » **Pre-Lubricated Springs**
During production, springs are factory lubricated and enclosed in a tube to protect them from the environmental elements.
- » **Dead Axle & Barrel Assembly**
An enclosed spiral barrel houses the dead axle assembly and offers durability and smoother operation as weight is distributed throughout the barrel.
- » **26-Gauge Corrugated Door Curtain**
Manufactured from galvanized grade 80 steel and coated with super durable polyester paint in more than 30 color options.
- » **Insulated Version Available**
Top draft and side draft stops included.



IMPORTANT NOTES:

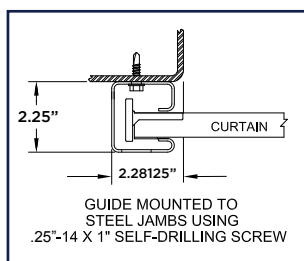
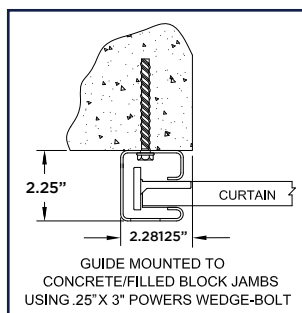
- Dimensions are referenced from edge of opening.
- Tensioner end and drive end can be installed at either end of door assembly.
- FOR CRITICAL FITS DUE TO REDUCED AVAILABLE HEADROOM or SIDEROOM CLEARANCES, CONSULT FACTORY.



Universal mount 2.25" deep 14-gauge galvanized steel wind bar guides require no pre-installation modifications for steel, concrete or filled masonry block applications.

SPECIFICATIONS

Guide Details



HIGHLIGHTS:

- B** Barrel: 12"
 - G** Guide: 2.25", 14-gauge
 - 5:7:1 reduced-drive chain hoist offers smoother operation on doors over 10' tall.
- Visit rollupdoorsdirect.com for technical drawings, color options and more.

Head Room Requirements

| Opening Height | Vertical Headroom | Horizontal Headroom |
|-----------------------|-------------------|---------------------|
| Thru 8'0" | 20" | 20" |
| Over 8'0" thru 10'0" | 21" | 21" |
| Over 10'0" thru 14'0" | 21.5" | 21" |

Side Room Requirements

| Operation | Guide | Outside of Bracket Tensioner End | Outside of Hand Chain Drive | Outside of Bracket Drive End | Each End of Axle |
|---------------------|-------|----------------------------------|-----------------------------|------------------------------|------------------|
| Push Up | 2.25" | 4" | N/A | 4" | 7" |
| Reduced Drive Chain | 2.25" | 4" | 6.5" | 6" | 7" |
| Electric | 2.25" | 4" | N/A | 5.5" | 7" |